

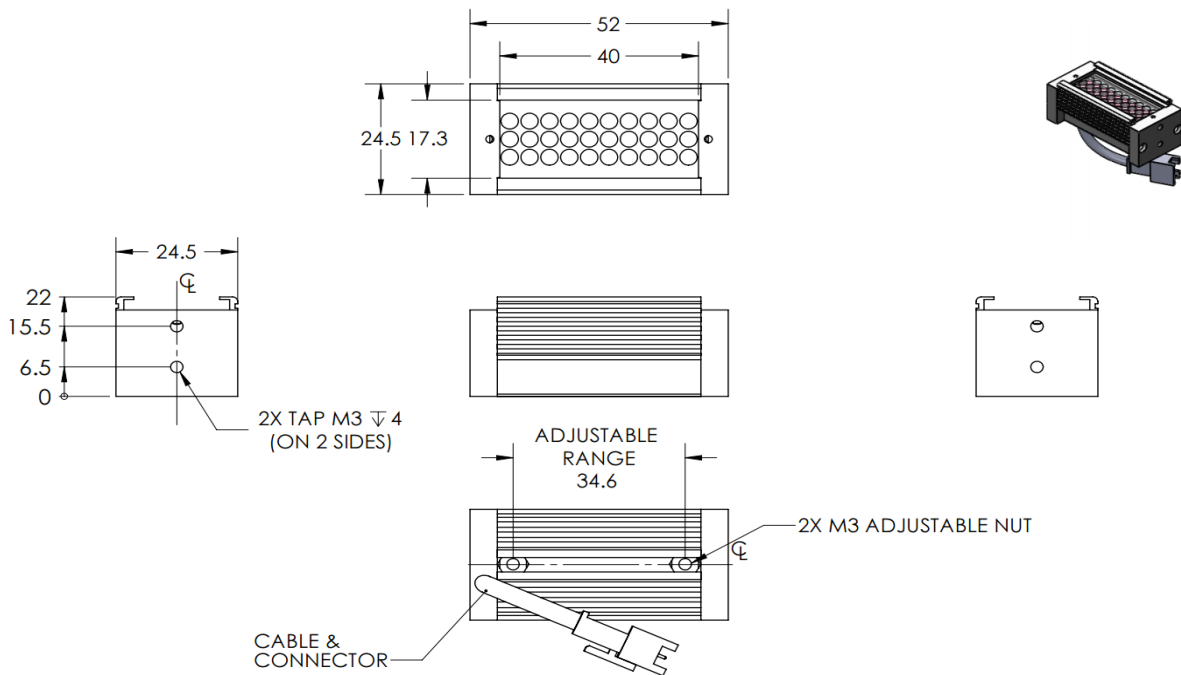


OPTO ENGINEERING

# ILLUMINATOR DATA

## LTZPFL040-00-3-W-24V

### Lighting Dimension



### Mechanical Information

Casing Material	Aluminium
Storage Temperature Range	0 - 45°C
Storage Humidity Range	20 - 85%
Weight	50g
Length / Outer Diameter	52mm
Width / Inner Diameter	24.5mm
Thickness / Height	22mm



OPTO ENGINEERING

# ILLUMINATOR DATA

## LTZPFL040-00-3-W-24V

Lighting Information																														
Part Number	LTZPFL040-00-3-W-24V																													
LED Color	WHITE																													
Wavelength	REFER TO CHROMACITY TABLE																													
Working Distance	80 mm	90 mm	100 mm																											
Intensity (±15%)	8600 lx	7270 lx	6110 lx																											
Illumination (number of row)	3																													
Illumination Active Area	Active Length / Outer Dia.			40 mm																										
	Active Width / Inner Dia.			17.3 mm																										
Emission angle	0																													
Eye Safety Class ( IEC62471 )	EXEMPT																													
Chromaticity Table	<table border="1"><tr><td>X</td><td>0.296</td><td>0.287</td><td>0.307</td><td>0.311</td></tr><tr><td>Y</td><td>0.276</td><td>0.295</td><td>0.315</td><td>0.294</td></tr></table>					X	0.296	0.287	0.307	0.311	Y	0.276	0.295	0.315	0.294	<table border="1"><tr><td>X</td><td>0.311</td><td>0.307</td><td>0.33</td><td>0.33</td></tr><tr><td>Y</td><td>0.294</td><td>0.315</td><td>0.339</td><td>0.318</td></tr></table>					X	0.311	0.307	0.33	0.33	Y	0.294	0.315	0.339	0.318
X	0.296	0.287	0.307	0.311																										
Y	0.276	0.295	0.315	0.294																										
X	0.311	0.307	0.33	0.33																										
Y	0.294	0.315	0.339	0.318																										
For White colour only																														

Electrical Information	
Rated Constant Voltage	24V±2%
Rated Constant Current	42mA
Power Consumption	1.01W
Casing temperature, After 60 minutes operation	41.2 °C

Strobe Mode Specification	
*Normal Strobe Voltage	24 V
*Normal Strobe Current	42 mA
Overdrive Voltage Range	Min: 36V      Max: 48V
Overdrive Current Range	Min: 0.08 A      Max: 0.23 A
Recommended Overdrive Voltage	36V
**Max. Trigger Pulse Duration	10 msec
**Max. Duty Cycle	10%

\*Normal strobe means the lighting is operated using the rated power. Overdrive means the power supplied to the lighting exceeded the rated power.

\*\*Overdrive condition must not exceed the max. trigger pulse duration and max. duty cycle.

# ILLUMINATOR DATA

## LTZPFL040-00-3-W-24V

Connection Information			
Connector Type (Default)	JST SMR-03V		
Cable Length	50 cm		
Pin Configuration  	Pin	Signal	Cable Colour
	1	LED +	Red
	2	N.C	-
	3	LED -	White
			

Additional Information	
Additional Cooling Method	Attached to machine part for better heat dissipation
Intensity Controller Selection	SD, ST, ANG, LC, SDA, SDP series
CE Conformity	YES
RoHS Compliance	YES

Application	
Illumination Type	Direct Illumination
Application Use	Label Inspection, Character Inspection, Code Recognition



OPTO ENGINEERING

# ILLUMINATOR DATA

## LTZPFL040-00-3-W-24V

Lighting Pattern				
Working Distance	For further details please contact us.			
Display and Image				
Data Results	Horizontal	Meas.(mm)	Vertical	Meas.(mm)
	90%		90%	
	80%		80%	
	70%		70%	
	60%		60%	
	50%		50%	
	40%		40%	
	30%		30%	
	20%		20%	
	10%		10%	